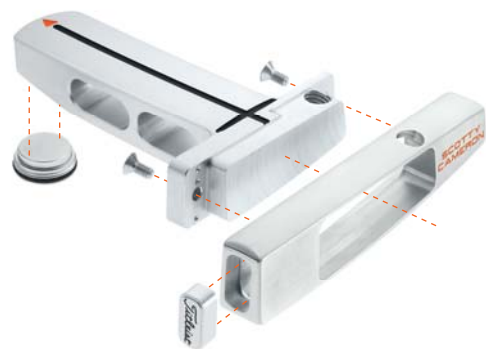


SCOTTY CAMERON
DETOUR



Arced Body milled from aircraft aluminum is curved, showing the player the proper swing path for perfect ball performance.

Visit www.titleist.com to learn more about the proper putting path.

Stainless Steel Heel-Toe Weighting Bar provides extreme heel-toe balance for enhanced dynamic stability.

Milled Body Pockets lighten the mid-section of the 6061-T6 aluminum body to allow proper weight distribution and CG placement.

Precision-Milled Toe Pocket finished with a branded aluminum counterweight perfectly balances heel-toe weight distribution to ensure proper sweet spot location.

Stainless Steel Backweight triangulates weight at the corners of the putter for an extremely high moment of inertia. A vibration dampening ring around the backweight ensures superior sound and feel.

Detour Specifications

	Loft	Lie	RH Length	LH Length	Headweight	Offset
Detour	4°	71°	34", 35"	34", 35"	340g, 330g	Full Shaft
Detour 2	4°	71°	34", 35"	—	340g, 330g	Straight

Stock Grip: Black Baby T **MSRP:** \$300

For a complete list of custom options, explore www.scottycameron.com

Angle Milled Body with a High Toe creates the ideal overall balance, improves set-up appearance and expands the sweet spot for greater forgiveness and a true roll.

Elastomer Cushion surrounding the face dampens vibration for a soft sound and solid feel that allows for precise distance control.



Detour
Single Bend Shaft



Detour 2
Straight Shaft



Jason Dufner

SCOTTY CAMERON® DETOUR™

THE PATH TO BETTER PUTTING

The new Scotty Cameron Detour provides design elements and visual indicators that help create the proper putting path. It features a unique, arced body and sight-line that show the player the shape of the optimum putting stroke. An angle milled body with a high toe complements the design for perfect balance and flowing aesthetics.

